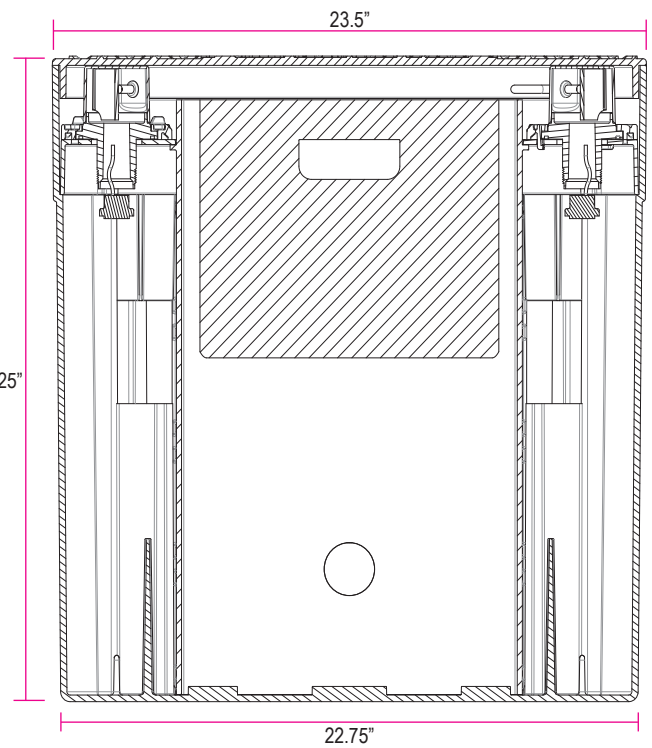
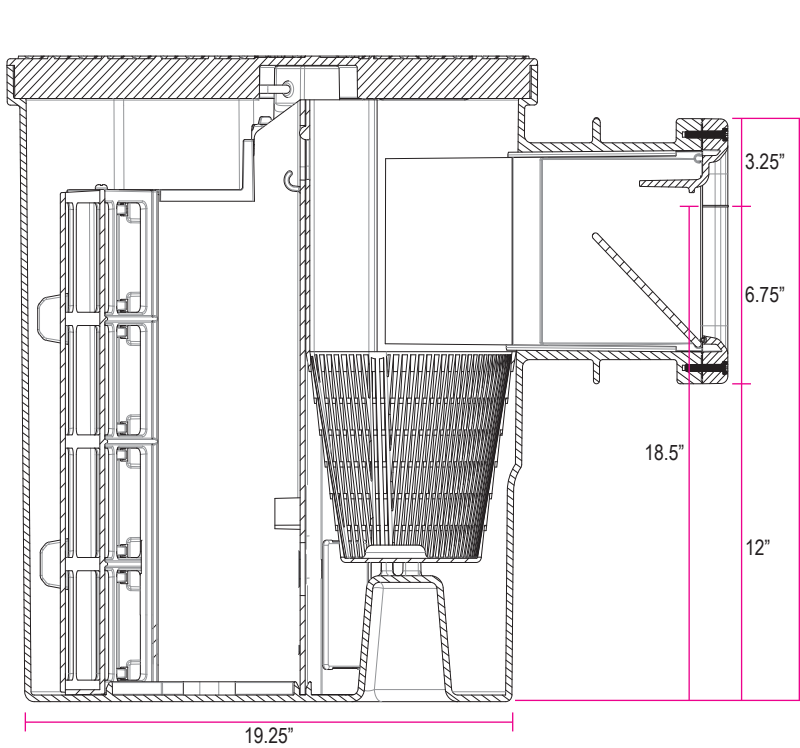
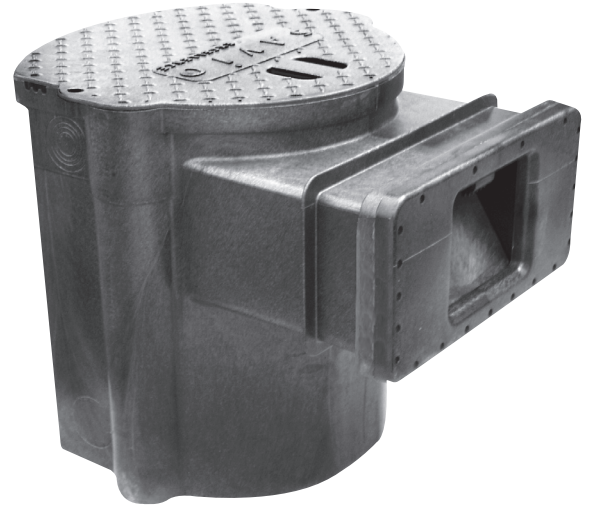
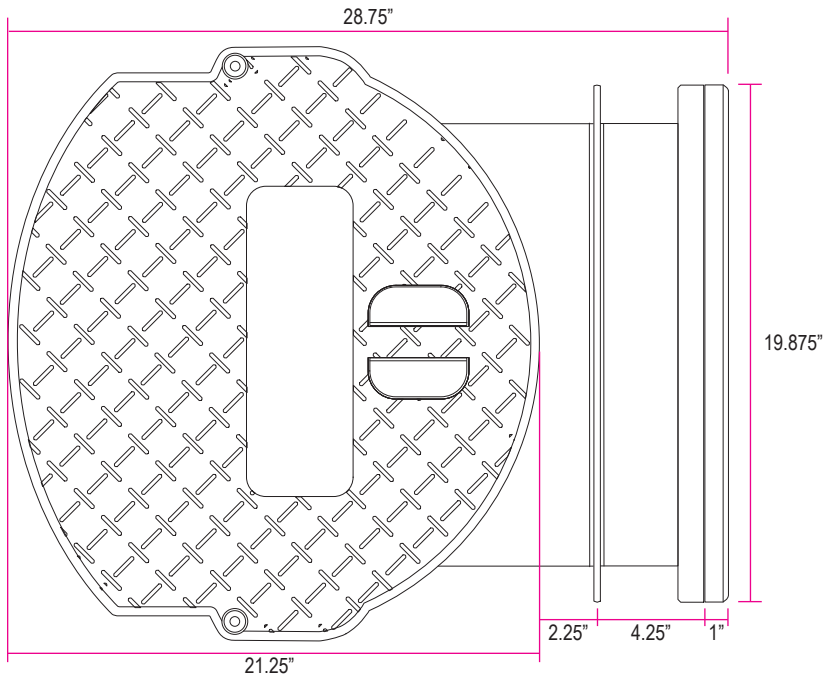


# SkimmerFilter® Specifications

# SS0000



Patent #:  
7,309,443  
7,052,612  
Patents Pending



Not responsible for errors.