

DreamPond® RetroFit 3" Bottom Drain

Installation Instruction

We offer a great way to add the two most vital requirements, aeration and waste control, in keeping fish. The RetroFit 3" bottom drain can be installed to any pond or water feature without the need of digging or modifying the current Pond structure.

Step 1) Locate the substrate fill hole on the RetroFit 3" aeration drain housing, located on the top of the RetroFit unit. Uncap the fill cap.

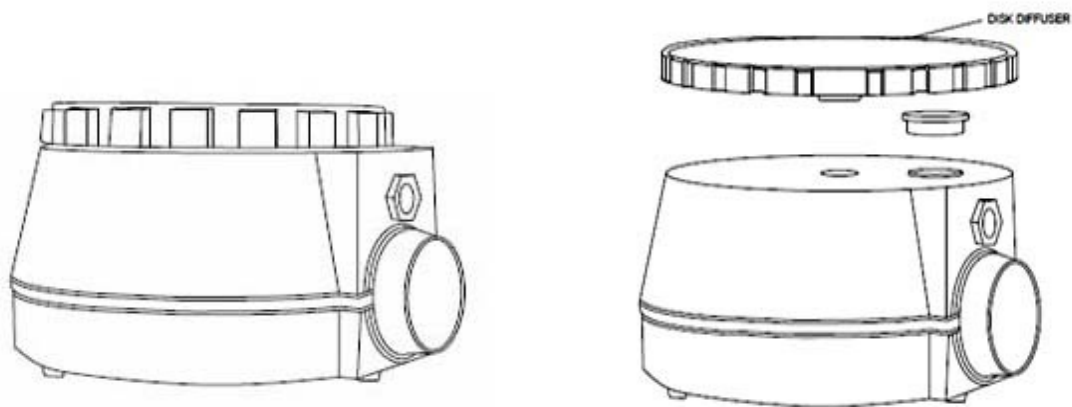
Step 2) Fill the RetroFit Drain with weighted substrate of choice. Commonly used are small gravel or sand. The weight from the substrate used will anchor the RetroFit Drain to the Bottom of the pond.

Step 3) Cap the Fill Cap back on to seal the substrate inside the Retrofit Drain unit.

Step 4) Locate the Air Diffuser included with the RetroFit bottom drain kit.

Step 5) Turn the Air Diffuser upside down to reveal the threading of the screw on base. Using a small amount of teflon tape apply 1.5 to 2 full wraps around the threading.

Step 6) Locate the mounting hole for the Air diffuser on the RetroFit bottom Drain unit.



Step 7) Install the Air diffuser to the RetroFit Bottom Drain by screwing the air diffuser into the RetroFit bottom drain unit.

Once Fully assembled the RetroFit Bottom Drain is now ready to be installed.

Choosing the proper location to place the RetroFit Bottom Drain.

The most optimal location to place the RetroFit Bottom Drain is at the center of the Bottom at the deepest point in the pond. This location is selected to ensure the RetroFit Bottom Drain flow pattern is accessible to all settled waste.

Completing the installation.

Once the RetroFit Bottom Drain has been assembled and a location has been determined it is time to install the RetroFit Bottom Drain.

Located on the side wall of the RetroFit Bottom Drain unit are 2 pipe receiving connectors.

The larger pipe connection is used to run a 3" pipe to a Filter / settling tank or directly to pump.

The smaller 1/2" barbed connection is used to run a air line to an air pump, air pump NOT included.

Common Pond plumbing installation methods

