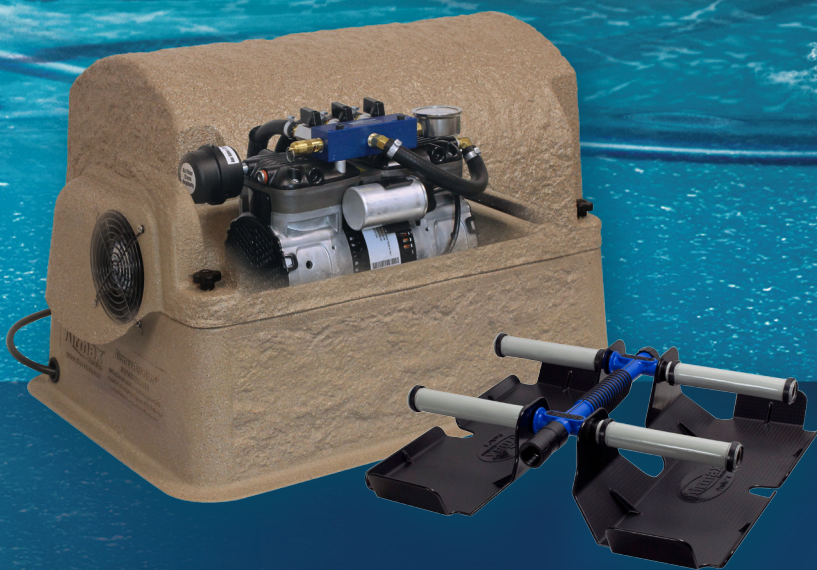


Airmax[®]

Aeration & Fountains



PondSeries™ Aeration Systems
PS10, PS20, PS30, PS40 & PS80

Owner's Manual



OWNER'S MANUAL FOR:

PondSeries™ Aeration Systems

PS10, PS20, PS30, PS40 & PS80

MAX DEPTH 21'

THANK YOU FOR CHOOSING

The Airmax® Aeration System

You have purchased the most efficient and cost-effective aeration system available on the market today!

ENGLISH

See Other Languages Online

SECTION		PAGE
1	System Components	3
2	System Installation	4-7
3	Initial Start-Up & Seasonal Operation	7
4	Maintenance	8
5	Troubleshooting	8
6	Replacement Parts / Accessories	9
7	Warranty	19



Watch & Learn | **How-To Install Video**
airmaxeco.com/AirmaxAerationInstallation

Important Safety Instructions

- Read all operating instructions carefully.
- To reduce the risk of electric shock, connect only to a properly grounded, grounding-type receptacle. If in doubt, have the outlet checked by a qualified electrician.
- This unit is to be used in a circuit protected by a ground fault circuit interrupter (GFCI).
- Disconnect unit from power source before handling or maintenance.
- Repair or exchange of cable/power cord must be carried through by the supplier/manufacturer.
- This unit has not been investigated for use in swimming pool areas.

CAUTION

- Never connect to an extension cord. This may result in equipment failure.
- Do not allow anything to rest on the power cord.
- Do not place the cabinet where people may step on the power cord.
- Never override or "cheat" electrical or mechanical interlock devices.
- Never attempt any maintenance function that is not specified in the user manual.
- Never operate the system if unusual noises or odors are detected. Disconnect the power cord from the outlet and call for service.



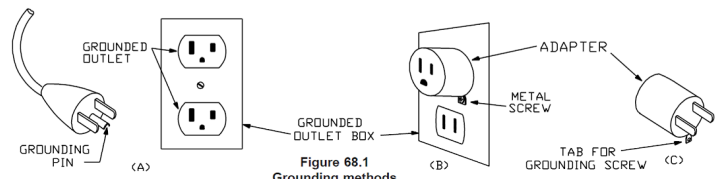
⚠️ GROUNDING INSTRUCTIONS – This product must be grounded. In the event of an electrical short circuit, grounding reduces the risk of electric shock by providing an escape wire for the electric current. This product is equipped with a cord having a grounding wire with an appropriate grounding plug. The plug must be plugged into an outlet that is properly installed and grounded in accordance with all local codes and ordinances.

⚠️ WARNING – Improper installation of the grounding plug is able to result in a risk of electric shock. When repair or replacement of the cord or plug is required, do not connect the grounding wire to either flat blade terminal. The wire with insulation having an outer surface that is green with or without yellow stripes is the grounding wire.

Check with a qualified electrician or serviceman when the grounding instructions are not completely understood, or when in doubt as to whether the product is properly grounded. Do not modify the plug provided; if it does not fit the outlet, have the proper outlet installed by a qualified technician.

For 120 VAC products: This product is for use on a nominal 120V circuit, and has a grounding plug similar to the plug illustrated in sketch A in Figure below. A temporary adapter similar to the adapter illustrated in sketches B and C may be used to connect this plug to a 2-pole receptacle as shown in sketch B when a properly grounded outlet is not available. The temporary adapter shall be used only until a properly grounded outlet (sketch A) is installed by a qualified electrician. The green colored rigid ear, lug, or similar part extending from the adapter must be connected to a permanent ground such as a properly grounded outlet box cover. Whenever the adapter is used, it must be held in place by a metal screw.

For 230 VAC products: This product is for use on a circuit having a nominal rating more than 120 V and is factory-equipped with a specific electric cord and plug for connection to a proper electric circuit. Only connect the product to an outlet having the same configuration as the plug. Do not use an adapter with this product. When the product must be reconnected for use on a different type of electric circuit, the reconnection shall be made by qualified service personnel.



Consignes de Sécurité Importantes

- Lisez toutes les instructions attentivement.
- Pour réduire le risque de choc électrique, connectez uniquement à une mise à la terre, de terre réceptacle. En cas de doute, faites vérifier la prise par un électricien qualifié.
- Cet appareil doit être utilisé dans un circuit protégé par un disjoncteur de fuite de terre (GFCI).
- Débrancher l'appareil de la source d'alimentation avant de la manipulation ou de maintenance.
- Réparation ou l'échange de câble / cordon d'alimentation doivent être menées à bien par le fournisseur / fabricant.
- Cet appareil n'a pas été étudiée pour une utilisation dans des zones de baignade de la piscine.

ATTENTION

- Ne jamais se connecter à une rallonge. Cela peut entraîner une défaillance de l'équipement.
- Ne laissez rien reposer sur le cordon d'alimentation.
- Ne pas placer l'armoire où les gens peuvent marcher sur le cordon d'alimentation.
- Ne jamais déjouer ou «contourner» les dispositifs de verrouillage électriques ou mécaniques.
- Ne tentez aucune opération de maintenance qui ne est pas spécifié dans le manuel utilisateur.
- Ne faites jamais fonctionner le système si des bruits ou des odeurs inhabituelles sont détectées. Débranchez le cordon d'alimentation de la prise et appelez le service.

⚠️ INSTRUCTIONS DE MISE – Ce produit doit être mis à la terre. Dans le cas d'un court-circuit électrique, la terre réduit le risque de choc électrique en fournissant un fil de fuite pour le courant électrique. Ce produit est équipé d'un cordon muni d'un fil de terre avec une fiche de terre. La fiche doit être branchée dans une prise correctement installée et mise en conformité avec tous les codes et règlements locaux.

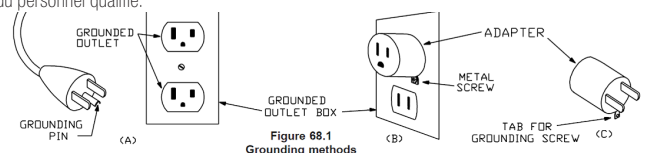
⚠️ AVERTISSEMENT – Une installation incorrecte de la prise de terre est en mesure d'entraîner un risque de choc électrique. Lorsque la réparation ou le remplacement du cordon ou de la prise, ne pas connecter le fil de terre à aucune borne à lame plate. Le fil d'un isolant ayant une surface extérieure verte avec ou sans rayures jaunes, est le fil de mise à la terre.

FRANÇAIS

Consultez un électricien ou un réparateur qualifié lorsque les instructions de mise à la terre ne sont pas complètement comprises ou en cas de doute quant à savoir si le produit est correctement mis à la terre. Ne pas modifier la fiche fournie; si elle ne correspond pas à la prise, faites installer une prise adéquate par un technicien qualifié.

Pour 120 produits VAC: Ce produit est destiné à être utilisé sur un circuit nominal de 120V, et a une fiche de mise à la terre semblable à la fiche illustrée par le croquis A dans la figure ci-dessous. Un adaptateur temporaire semblable à l'adaptateur illustré dans les esquisses B et C peut être utilisé pour brancher cette fiche à une prise à 2 pôles comme indiqué dans le croquis B si une prise de terre ne est pas disponible. L'adaptateur temporaire doit être utilisé jusqu'à une prise de terre (schéma A) est installé par un électricien qualifié. Le vert coloré oreille rigide, cosse, ou une partie similaire se étendant de l'adaptateur doit être connecté à une terre permanente comme un couvercle de la boîte de prise de terre. Chaque fois que l'adaptateur est utilisé, il doit être maintenu en place par une vis en métal.

Pour 230 produits VAC: Ce produit est pour une utilisation sur un circuit ayant une puissance nominale supérieure à 120 V et est équipé en usine avec un cordon électrique spécifique et branchez pour la connexion à un circuit électrique approprié. Seulement connecter le produit à une prise ayant la même configuration que la fiche. Ne pas utiliser un adaptateur avec ce produit. Lorsque le produit doit être reconnecté pour une utilisation sur un type de circuit électrique différente, la reconnexion doit être faite par du personnel qualifié.



Airmax® Composite Cabinet

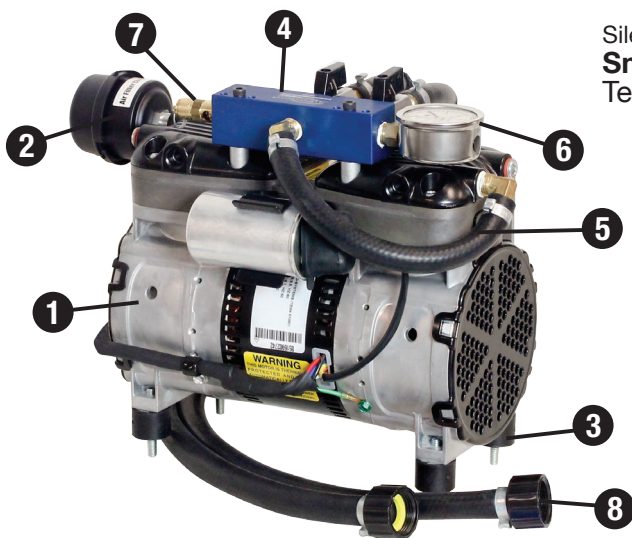


1. Enhanced Cooling System tunnels air flow evenly through the cabinet with a high flow cooling fan
2. Composite cabinet with removable top protects components while providing easy access
3. Elevated base protects against damaging flood water
4. Pre-wired electrical box simplifies electrical connections for easy setup
5. Dual Air Filters – High density cabinet intake pre-filter and compressor air filter maximize the life of the system
6. Cabinet Lock Kit protects your investment from unwanted guests

Cabinet Size: 23”L x 17”W x 15”H

Cabinet Size: 27”L x 24”W x 18.75”H (PS80 Only)

SilentAir™ RP Series Rocking Piston Compressor



SilentAir™ with
SmartStart™
Technology

SmartStart™ Technology: Protects compressor during pressurized restarts following power supply interruptions.

1. High efficiency, continuous-duty rocking piston compressor
2. Air Filter maximizes the life of the compressor
3. Rubber compressor mounts reduce noise and vibration for silent operation
4. Airflow manifold simplifies airflow management to individual diffusers
5. Heat-resistant 3/8" flex-tube protects against high temperatures of the compressor and braided hose sleeve protects against wear
6. Pressure gauge helps monitor system performance
7. Pressure relief valve safeguards from back pressure
8. Airline quick disconnects for easy system removal and storage

Note: These systems are designed for ponds up to 21' deep. Operating in depths greater than 21' will require a Deep Water Kit. See section 6 for kits.

ProAir™ 4 Weighted Diffuser



1. PTFE non-stick 6" membrane diffuser sticks provides the synergy of air stones while being virtually maintenance-free
2. Check valve prevents back pressure to compressor
3. Weighted design keeps diffuser submerged while maintaining an upright position during installation

Diffuser Size: 19”L x 19”W x 5”H

EasySet™ AIRLINE



- Self-Weighted Airline: 3/8" 100' Roll (#510118), 5/8" 100' Roll (#510119): Lead-free weighted airline is made of durable PVC composite. Fish hook resistant and kink-free. Use from pond's edge to diffuser.
- Direct Burial Airline: 5/8" 100' Roll (#510120) Flexible, yet kink-free. Bury from cabinet and compressor to pond's edge when placing the cabinet and compressor away from the pond.

*Depending on the type of installation, additional connector kits may be required. See section 6 for connector kits.

*Ponds greater than 21' will require a Deep Water Kit

Tech Specs:

	HP	Running Amps	Volts	Max CFM	Power Cord	Max Pond Size	Max Depth*	# Diffusers
PS10	1/4	1.6 or 0.8	115V or 230V	2.3	6'	1 Acre	50'	1
PS20	1/2	4.1 or 2.1	115V or 230V	4.7	6'	2 Acres	50'	2
PS30	1/2	4.1 or 2.1	115V or 230V	4.7	6'	3 Acres	50'	3
PS40	3/4	5.3 or 2.7	115V or 230V	5.8	6'	4 Acres	50'	4
PS80	3/4 (x2)	10.6 or 5.3	115V or 230V	11.6	6'	8 Acres	50'	8

Tools Required:

- Placement Rope
- Level
- Small stone or gravel
- Rake
- Permanent Marker
- Utility razor knife
- Boat/Raft/Swimsuit
- Shovel
- Flathead screwdriver
- Coast Guard-approved life jacket

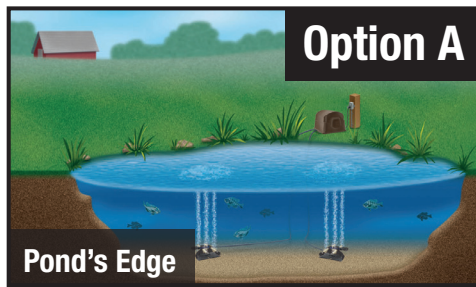


See Video Instructions of the Airmax® Aeration System installation online at airmaxeco.com/PondSeriesAeration

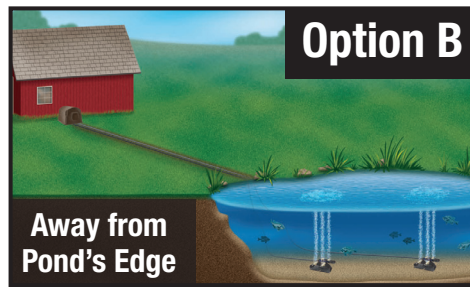
STEP ONE: Select a Location for the Aeration Cabinet

- Locate cabinet on a solid surface with adequate strength for the weight of the unit.
- Locate cabinet away from irrigation sprinklers.
- Cabinet must always remain above the high water mark.

* **Attention:** For airline that runs longer than 100', connector kits are required (sold separately). See Page 9.



If a power source is available near the pond's shore, locate the cabinet at the pond's edge for quicker installation.



If a power source is not available near the pond's shore or you would prefer to install the cabinet in another location, install Direct Burial Airline(s) (sold separately) from the cabinet's location to the pond's edge.

Option B with Remote Manifold

Use a single airline from cabinet to shoreline with valves at pond's edge.



Learn about installing an optional Remote Manifold Kit online at airmaxeco.com/RemoteManifold

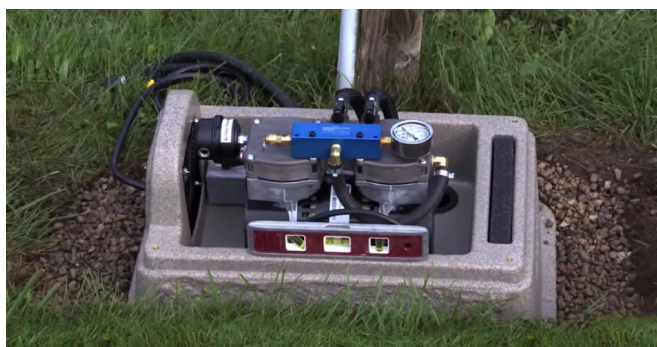
STEP TWO: Prepare the Ground Surface and Place the Cabinet



1. Place the cabinet on the ground in the selected location and mark an area 6" wider than the base of the cabinet on all sides.



2. Move the cabinet and remove the sod from the area, filling in with small stone or gravel. This allows for a firm base for the cabinet and for drainage. Open the aeration cabinet by unscrewing the 4 lobed thumb screws. Gently lift the cabinet lid and lay on its side next to the base.



3. Place the cabinet onto the stone base and use your level to make sure the cabinet is sitting secure and level.

STEP THREE: Excavate Trench and Place Airline(s)

1. Using your shovel, dig a trench from the cabinet to the pond's edge. This trench should be a minimum depth of 8" to protect the airline. We recommend having utility lines marked before you begin digging.



2. Place airline into the trench from the aeration cabinet to the pond's edge.

Option A:

Use EasySet™ weighted airline. There must be a separate run of airline for each diffuser that will be installed. Leave remaining airline coiled at the pond's edge.

Option B:

Use Direct Burial airline. There must be a separate run of airline for each diffuser that will be installed. Join multiple sections of direct burial airline using 5/8" connector kits. First, slide two hose clamps onto one section of airline. Next insert the 5/8" insert adaptor half way into one section of airline and then insert into next the section of airline. Using a flathead screw driver, secure one of the hose clamps onto each half of the insert adaptor (see image on the left).

Option B with Remote Manifold: Use 1" Direct Burial Airline or PVC Pipe. Only 1 run of airline is required from the cabinet location to the pond's edge. See Remote Manifold Kit Manual or watch the installation video at airmaxeco.com/RemoteManifold for more information.

STEP FOUR: Connect Airline(s) to the Compressor Manifold

Attention: For ponds deeper than 21' deep, a Deep Water Kit (Sold Separately) must be installed before continuing with installation.

Option A & B:

(this step is not required if a Deep Water Kit is installed)

Slide a hose clamp onto the airline and insert a 3/4" MPT to 3/8" (or 5/8") Insert Reducer to into the airline, securing with a hose clamp. Next, hand tighten to one of the quick disconnect flex tubes coming from the compressor manifold. Repeat for each diffuser line.

Option B with Remote Manifold:

Refer to the Remote Manifold Kit Manual or watch the installation video at airmaxeco.com/RemoteManifold for more information.

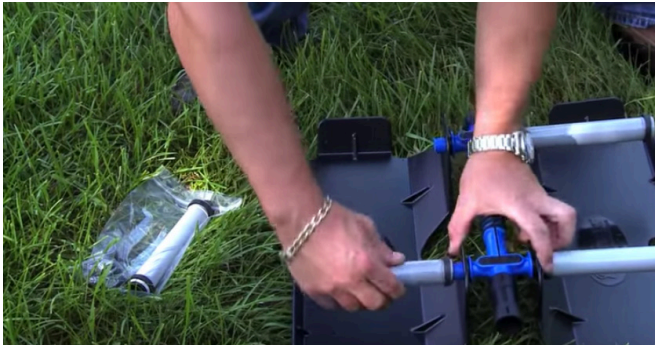
STEP FIVE: Partially Backfill Airline Trench

Backfill the airline trench in a few areas to temporarily keep the airline in place until installation is complete.

STEP SIX: Connect Weighted Airline for Diffusers

Unroll the EasySet™ weighted airline and remove any kinks or twists. Join enough sections of weighted airline, using 3/8" or 5/8" connector kits, so that the airline can rest on the bottom of the pond, from the pond's edge out to the planned location for each diffuser. For option B installations, connect the weighted airline to the direct burial airline or Remote Manifold Kit at the pond's edge.

Note: Diffusers should be placed equally apart or in areas of low water movement for optimum performance. If you need help choosing the correct location for your diffusers, please contact Airmax® or your local dealer.

STEP SEVEN: Connect ProAir™ Diffusers

See the ProAir™ Diffuser Manual for assembling and connecting the diffusers.

STEP EIGHT: Start the Aeration System

PS10 Systems: Plug the compressor and cooling fan into the power control outlet inside of the cabinet. Plug the power control outlet into a GFCI power outlet.

PS20, PS30, PS40, PS80 Systems: Plug the compressor into the power control outlet inside of the cabinet. Ensure the power switch is in the "ON" position. Plug the power control outlet into a GFCI power outlet.

**STEP NINE:** Install the ProAir™ Diffusers

Installing Diffusers from a Boat/Raft: Have one person on shore guiding the airline as a second person uses a boat or raft, extend the airline out to the area of the pond that the diffuser will be located. Gently release the diffuser into the water. Repeat until all diffusers are in position.

Installing Diffusers from Shore:

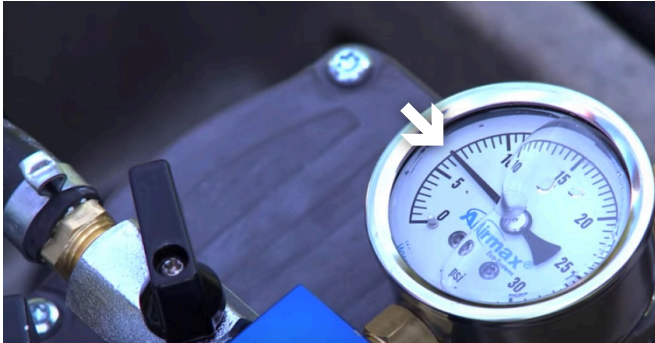
For smaller ponds you may choose to install the diffusers from shore. Have one person guide the airline while another walks around the pond with the diffuser. Then thread nylon rope through the diffuser manifold. Use the nylon rope and airline to gently guide the diffuser into place. Once set, release one side of the nylon rope and pull to shore. Repeat until all diffusers are in position.



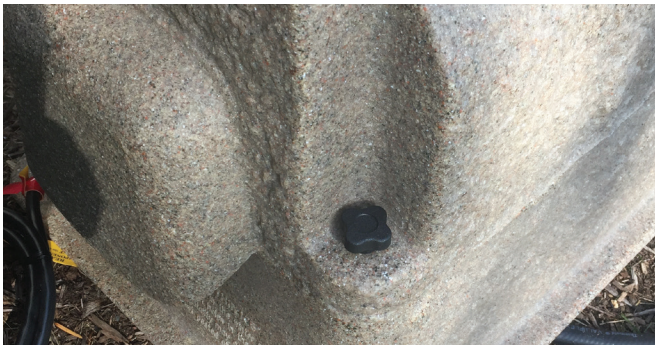
STEP TEN: Adjust Airflow

Bubbles should be noticeable on the pond's surface from the diffuser locations. When more than one diffuser is installed, adjust the airflow valves on the compressor manifold (For Option B with Remote Manifold, do this step at the remote manifold). Once an adjustment is made you may need to wait several minutes to see the results at the diffuser location(s).

Note: Deeper placement of diffusers and longer runs of airline will require more flow.

**STEP ELEVEN: Mark Pressure Gauge**

Using a permanent marker, mark the current pressure gauge reading. During regular maintenance if the reading is above or below this mark, it may indicate that the system requires maintenance.

STEP TWELVE: Secure Cabinet & Prepare for Start-Up

Secure the aeration cabinet lid with the 4 lobed screws. You can also secure the cabinet to prevent unwanted guests with the included Cabinet Lock Kit. Simply replace 2 lobed screws with 2 hex screws and use the hex tool to secure into place. Complete backfill on airline trenches and level with a rake. Complete installation by reviewing and following the **Initial Start-Up Procedure in Section 3**.

**3. Initial Start-Up & Seasonal Operation**

⚠ The circulation of poor quality, low oxygen, deep water to the pond's surface can introduce harmful gases and by-products into the previously healthy upper regions of the water column. These by-products can make the upper regions unfit for aquatic life and could result in fish-kill.

Initial Start-Up Procedure To Prevent Fish-Kill:

Follow this procedure anytime system has been shut-off for an extended period of time.

- Day 1: Run system for 30 minutes; turn system off for remainder of day.
- Day 2: Run system for 1 hour; turn system off for remainder of day.
- Day 3: Run system for 2 hours; turn system off for remainder of day.
- Day 4: Run system for 4 hours; turn system off for remainder of day.
- Day 5: Run system for 8 hours; turn system off for remainder of day.
- Day 6: Run system for 16 hours; turn system off for remainder of day.
- Day 7: Begin running system 24 hours/day, 7 days/week.

Summer Operation

To reduce the risk of fish kills in hot summer months and for optimum aeration benefits, Airmax® Aeration Systems should run continuously throughout the summer.

To enhance pond health, reduce mucky bottoms and enhance pond's aesthetic appeal, try Pond Logic® products:

Ma MuckAway™ **Pc** PondClear™ **Eb** EcoBoost™ **Tw** **Bk** **Nb** **Ab** Pond Dye

Winter Operation

Owner assumes all responsibility for operating Airmax® Aeration System during winter months. Operating in freezing conditions on an ice-covered pond will cause large open water areas at diffuser sites. Ice thickness around open areas will be much thinner than the surrounding areas. Airmax® strongly recommends that "Danger - Thin Ice" be posted at frequent intervals around pond.

If you choose to turn your system off for the winter, do the following:

- Unplug your aeration system.
- Disconnect compressor flex-tube(s) from airline(s).
- Cover airline ends with the included winterization caps to prevent debris from entering airline.
- Move cabinet and compressor inside to keep dry.
- If operating during the winter season, condensation could cause airlines to freeze. If so:
 - Use 1 cup isopropyl alcohol in the airline running out to each plate.
 - Turn on compressor to push through line and free any ice blockage.

Airmax® Aeration Systems are designed for low-maintenance and require minimal scheduled maintenance. Cabinet inlets and outlets should be kept free of debris and weed growth allowing normal ventilation.

- Always unplug system before performing any maintenance or troubleshooting.
- Always unplug system and refer servicing to a qualified electrician when: cord is damaged or frayed, compressor, power control, compressor fan, or other electrical components are producing unusual noises or odors.
- Always use parts that are supplied or approved by Airmax®, Inc. Use of other parts may result in poor performance and could create a hazardous situation.

**Local environmental conditions may require more frequent maintenance.

WARNING: Compressors are equipped with a thermal overload switch. If temperature becomes high enough to trip the overload, the compressor will shut down. It will then automatically start up when temperature decreases as long as power is applied.

EVERY 3-6 MONTHS – Air Filter: Clean/replace air filter.

Cooling Fan: Check to ensure cooling fan is operating. Hot air should be pulled from the cabinet, not blowing in.

Pressure Gauge: Mark pressure gauge upon initial start up. Check to verify pressure has not significantly risen above or dropped below initial reading. Normal operation will range between 5-10psi.

Pressure Relief Valve: Check to ensure air is not escaping from valve and replace if needed.

EVERY 12-18 MONTHS – Maintenance Kit: It is recommended to install a maintenance kit every 12-18 months to ensure optimum performance.

EVERY 24-36 MONTHS – Membrane Sticks: We recommend inspecting and/or cleaning the membrane diffuser sticks every 24-36 months, or anytime the pressure gauge reading is significantly higher than normal or there is a reduction in bubbles from the diffuser. To clean, use Airmax® Fountain & Aeration Cleaner (#530298) and a soft cloth.



Watch the Maintenance Kit How-To Video at airmaxeco.com/PondSeriesAeration

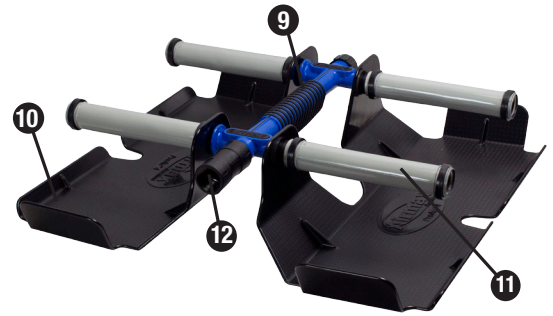
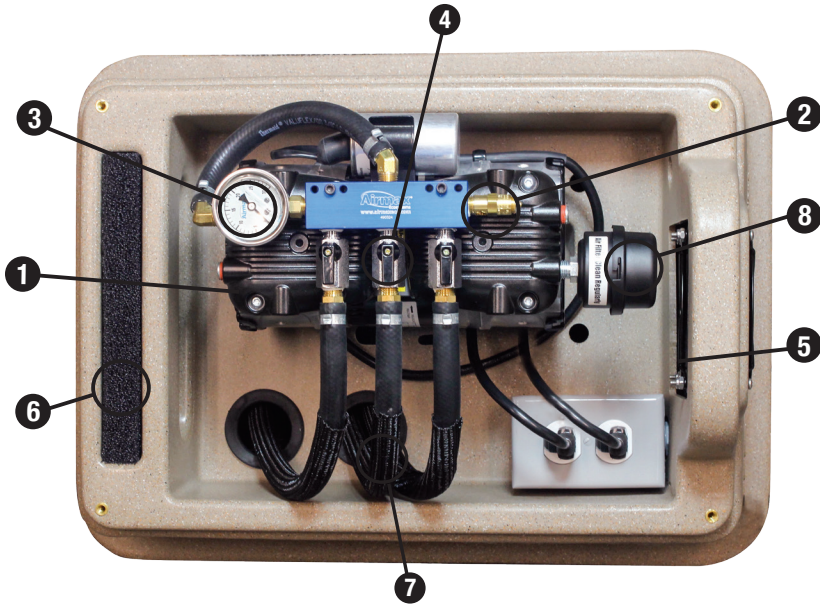
5. Troubleshooting

IF COMPRESSOR IS NOT OPERATING:

ISSUE	CHECK	LIKELY CAUSE	CORRECTION
Cabinet fan is not running.	Option 1: Check for power.	Compressor and fan are not receiving power.	Open cabinet and ensure the compressor and fan are plugged into the power outlet. For PS20-PS80 systems, also ensure the power switch is on.
	Option 2: GFCI circuit tripped.	Damage to electrical cord or low voltage from power supply.	Contact Airmax® or local dealer for electrical troubleshooting assistance.
	Option 3: GFCI circuit not tripped.	GFCI malfunction.	
Cabinet fan is running.	Option 1: Check compressor for power.	Compressor is not receiving power.	Open cabinet and ensure the compressor is plugged into the power outlet.
	Option 2: Check compressor capacitor wiring for frays or poor connections.	Wiring loosened or was damaged during shipment or maintenance.	Contact Airmax® or local dealer for repair/replacement.
	Option 3: No capacitor wiring issues can be seen.	Bad capacitor.	
	Option 4: Capacitor has been replaced.	Compressor is bad.	

IF COMPRESSOR IS OPERATING:

ISSUE	CHECK	LIKELY CAUSE	CORRECTION
No bubbles at any diffusers.	Option 1: No air leaks are audible in cabinet. Compressor running louder and possible excessive vibration.	Compressor air filter is dirty/clogged.	Clean or replace air filter. NEVER re-install wet filter.
	Option 2: Compressor operating normally or making unusual noises. Exhibits reduced pressure and/or air flow.	Compressor needs maintenance kit and possibly new air filter.	Contact Airmax® or local dealer with specifications for maintenance kit . Clean or replace air filter. NEVER re-install wet filter.
No bubbles at some diffuser plates.	Option 1: Check for leaks at all connections in line and in cabinet. If none are audible, carefully spray SMALL amount of soapy water onto connections and look for bubbles.	Vibration loosened connection or cracked fitting.	Tighten loose connection or replace cracked fitting as necessary.
	Option 2: Are all flow control valves in compressor wide open?	Improper "balancing" of diffusers.	Adjust air flow valves on manifold in cabinet until all diffusers operate properly. See Section 2. System Installation for more information.
	Option 3: Valves in cabinet are properly "balanced" and no leaks are evident.	Compressor beginning to lose compression and needs maintenance kit .	Contact Airmax® or local dealer with compressor specifications for maintenance kit .
Large rolling bubbles instead of fine bubbles at surface above one or more diffuser plates.	Inspect each diffuser plate for malfunction.	Diffuser membrane damaged, diffuser plate fitting broken or diffuser plate is flipped over.	Contact Airmax® or local dealer for repair/replacement.
Air coming out of pressure relief valve.	Option 1: High pressure reading on gauge. Inspect diffuser plates and tubing for clogging.	Diffuser maintenance needed.	Remove any overgrowth around diffuser membrane surface. See Section 4. Maintenance for more information.
	Option 2: Low pressure reading on gauge. Diffuser plates not clogged.	Bad pressure relief valve.	Contact Airmax® or local dealer for repair/replacement.
Compressor stops working for periods of time, then restarts.	Inspect cooling fan for proper function.	Compressor over-heating due to bad cooling fan.	Contact Airmax® or local dealer for fan replacement. If possible, leave top of cabinet open for cooling. Otherwise, unplug system until fan is replaced.
Compressor shakes erratically and is making loud noises.	Option 1: Check for low voltage while compressor is running.	Gauge of supply wires to circuit possibly undersized or cabinet is plugged into extension cord.	If gauge of circuit wiring is incorrect, have electrician replace. NEVER use extension cord to operate system for continual use.
	Option 2: Check for clogged air filter.	Air filter in need of replacement.	Clean or replace air filter. NEVER re-install wet filter.



Cabinet & Compressor Replacement Parts

1. RP Series SilentAir™ High Efficiency Compressor

- #510503 – RP25 (87R) 1/4 HP Single Piston Compressor, 115V
- #510504 – RP25 (87R) 1/4 HP Single Piston Compressor, 230V
- #510501 – RP50 (87R) 1/2 HP Dual Piston Compressor, 115V
- #510505 – RP50 (87R) 1/2 HP Dual Piston Compressor, 230V
- #510502 – RP75 (72R) 3/4 HP Dual Piston Compressor, 115V
- #510506 – RP75 (72R) 3/4 HP Dual Piston Compressor, 230V
- #510510 – RP25 (87R) 1/4 HP Maintenance Kit
- #510511 – RP50 (87R) 1/2 HP Maintenance Kit
- #510512 – RP75 (72R) 3/4 HP Maintenance Kit

2. #490239 – Pressure Relief Valve

3. #490272 – Pressure Gauge

4. Airflow Manifold Assembly

- #600186 – PS10
- #600242 – PS20
- #600243 – PS30
- #600241 – PS40
- #600246 – PS80

5. Cooling Fan

- #510345 – Cooling Fan for 115V Systems
- #510344 – Cooling Fan for 230V Systems

6. #510395 – Air Intake Pre-Filter

#510417 – Air Intake Pre-Filter (PS80 Only)

7. #490194 – 3/8" Flex-Tube

8. Air Filter

- #510150 – Air Filter, Complete
- #510151 – Air Filter Media Only

ProAir™ 4 Replacement Parts

- 9.** #490332 – Diffuser Manifold *#490158 – 1" Marine Stainless Hose Clamp
- 10.** #490337 – Diffuser Sled *#490118 – 1/2" to 3/4" Insert Reducer Adapter
- 11.** #510168 – PTFE 6" Membrane Stick *#490118 – 3/8" to 3/4" Insert Reducer Adapter
- 12.** #490340 – Check Valve *Not shown in Diagram

EasySet™ Airline

- #510118 – 3/8" Weighted Airline, 100' Roll
- #510119 – 5/8" Weighted Airline, 100' Roll
- #510120 – 5/8" Direct Burial Airline, 100' Roll

Optional Remote Manifold Kits

- 13.** #600192 – Airmax® PS20 2-Port Remote Manifold Kit
- #600190 – Airmax® PS30 3-Port Remote Manifold Kit
- #600194 – Airmax® PS40 4-Port Remote Manifold Kit

Connector Kits



Optional Deep Water Kit

For use on PondSeries™ Systems when water is greater than 21' deep.

- #510435 – PS10
- #510436 – PS20
- #510437 – PS30
- #510438 – PS40
- #510439 – PS80



Security Kits

- #510430 – Security Stake Kit (Optional)
- #510424 – Cabinet Lock Kit



THANK YOU FOR CHOOSING



Cleaning Water Naturally™

www.airmaxeco.com

Airmax® Cabinet Composite

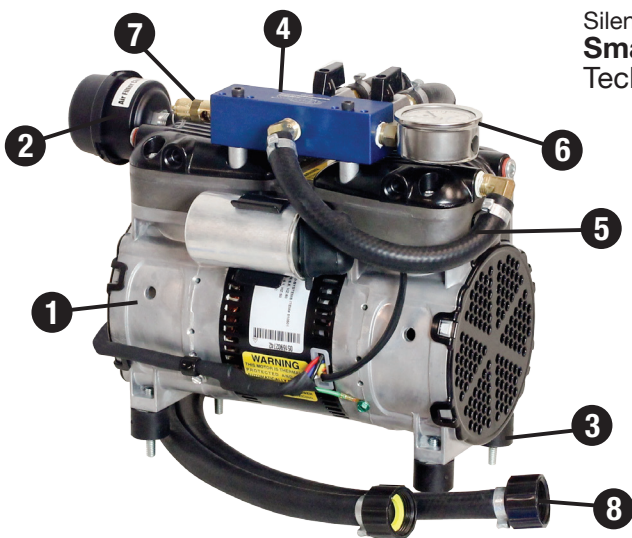


1. Système de refroidissement amélioré tunnels flux d'air uniformément à travers le boîtier avec un ventilateur de refroidissement à haut débit
2. Armoire composite avec toit amovible protège les composants tout en offrant un accès facile
3. Base surélevée protège contre les eaux de crue dommageable
4. Boîte électrique pré-câblée simplifie les connexions électriques pour une installation facile
5. Filtres double air - aspiration de l'armoire haute densité pré-filtre et le filtre à air du compresseur maximisent la durée de vie du système
6. Kit de verrouillage Cabinet protège votre investissement de les hôtes indésirables

Taille du Cabinet: 23"L x 17"W x 15"H

Taille du Cabinet: 27"L x 24"W x 18.75"H (PS80 Seulement)

SilentAir™ Série RP Rocking compresseur à piston



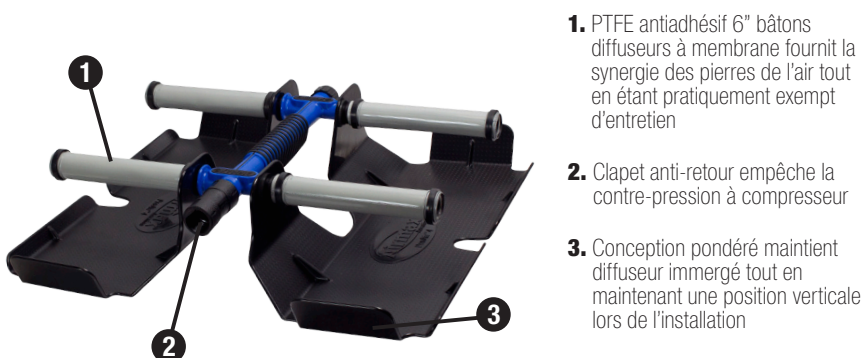
SilentAir™ avec
SmartStart™
Technologie

SmartStart™ Technologie: Protège compresseur pendant le redémarrage sous pression après les interruptions d'alimentation.

1. Rendement élevé, en service continu à bascule compresseur à piston
2. Filtre à air maximise la durée de vie du compresseur
3. Caoutchouc compresseur montures réduire le bruit et les vibrations pour un fonctionnement silencieux
4. Airflow collecteur simplifie la gestion des flux d'air vers les diffuseurs individuels
5. Résistant à la chaleur 3/8" à tube flexible protège contre les températures élevées du manchon de compression et le tuyau tressé pour protéger contre l'usure
6. Manomètre aide les performances du système de contrôle
7. Décompression garanties de soupape de pression
8. Déconnexion rapide avion pour le retrait facile du système et de stockage

Remarque: Ces systèmes sont conçus pour les bassins jusqu'à 21' de profondeur. Opérant dans des profondeurs supérieures à 21' exigera un kit de l'eau profonde. Voir la section 6 pour les kits.

ProAir™ 4 Diffuseur Pondéré



1. PTFE antiadhésif 6" bâtons diffuseurs à membrane fournit la synergie des pierres de l'air tout en étant pratiquement exempt d'entretien
2. Clapet anti-retour empêche la contre-pression à compresseur
3. Conception pondéré maintient diffuseur immergé tout en maintenant une position verticale lors de l'installation

Taille du diffuseur: 19"L x 19"W x 5"H

EasySet™ Ligne Aérienne



- Airline auto-pondéré: 3/8" 100' Rouleau (#510118), 5/8" 100' Rouleau (#510119): compagnie aérienne pondéré plomb est faite de biens PVC composite. Hameçon résistant et kink-libre. Utilisez de au bord de l'étang de diffuseur.
- Airline Enfouissement direct: 5/8" 100' Rouleau (#510120) Flexible, encore kink-libre. Enterrez de cabinet et compresseur au bord de l'étang lorsque vous placez l'armoire et le compresseur loin du pond.

*Selon le type de installation, supplémentaire kits de connexion peuvent être equis. Voir la section 6 pour kits de connecteurs.

* Étangs supérieurs à 21' exigera un kit de conversion Deep Water

Spécifications techniques:	HP	Exécution Amps	Volts	Max CFM	Cordon d'alimentation	Max Étang Taille	Profondeur max*	# Diffuseurs
PS10	1/4	1.6 or 0.8	115V or 230V	2.3	6'	1 Acre	50'	1
PS20	1/2	4.1 or 2.1	115V or 230V	4.7	6'	2 Acres	50'	2
PS30	1/2	4.1 or 2.1	115V or 230V	4.7	6'	3 Acres	50'	3
PS40	3/4	5.3 or 2.7	115V or 230V	5.8	6'	4 Acres	50'	4
PS80	3/4 (x2)	10.6 or 5.3	115V or 230V	11.6	6'	8 Acres	50'	8

Outils nécessaires:

- Nylon Rope
- Niveau
- Petite pierre ou de gravier
- Râteau
- Marqueur permanent
- Couteau tout usage
- Bateau / Raft
- Pelle
- Tournevis à tête plate
- Gilet de sauvetage de la Garde côtière approuvée

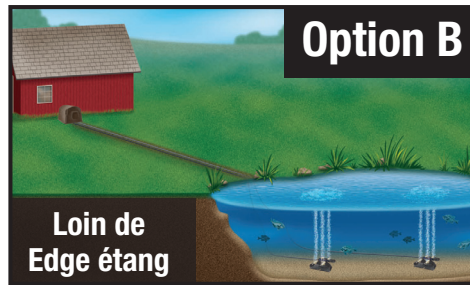
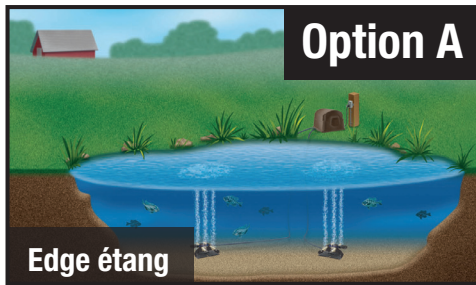


Voir vidéo Instructions de la Installation Airmax® Système d'Aération en ligne à airmaxeco.com/PondSeriesAeration

ÉTAPE 1: Sélectionnez un emplacement pour le cabinet d'aération

- Placer l'armoire sur une surface solide avec une force suffisante pour le poids de l'unité.
- Repérez armoire loin de gicleurs d'irrigation.
- Cabinet doit toujours rester au-dessus de la marque des hautes eaux.

* **Attention:** Pour la compagnie aérienne qui fonctionne plus de 100', kits de connexion sont nécessaires (vendus séparément). Voir la page 9.



Option B avec collecteur à distance

Utilisez une seule compagnie aérienne du cabinet au littoral avec des vannes au bord de l'étang.



En savoir plus sur l'installation d'un kit de collecteur à distance en option en ligne à airmaxeco.com/RemoteManifold

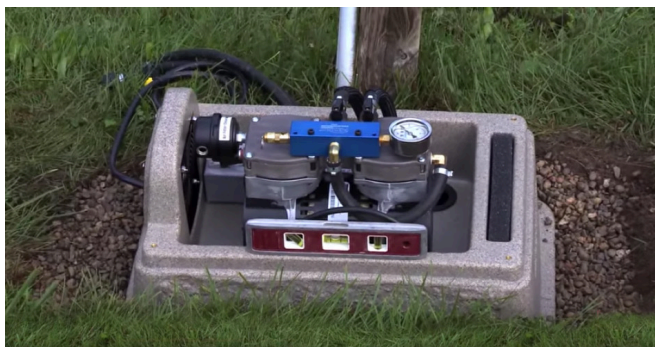
Si une source d'alimentation est disponible à proximité de la rive de l'étang, localiser l'armoire au bord de l'étang pour une installation plus rapide.

Si une source d'alimentation ne sont pas disponibles à proximité de la rive de l'étang ou vous préférez installer l'armoire dans un autre emplacement, installez Airline(s) Burial Direct (vendu séparément) à partir de l'emplacement de l' armoire au bord de l' étang.

ÉTAPE 2: Préparer la surface du sol et placez l'armoire



1. Placez l'armoire sur le sol à l'emplacement choisi et marquer une zone 6" plus large que la base de l'armoire sur tous les côtés.



2. Déplacez l'armoire et retirez le gazon de la zone, en remplissant avec une petite pierre ou de gravier. Cela permet d' une base solide pour le cabinet et pour le drainage. Ouvrez l'armoire d'aération en dévissant les 4 vis de pouce lobées . Soulevez délicatement le couvercle de l'armoire et de jeter sur le côté à côté de la base.

3. Placez l'armoire sur la base de pierre et utilisez votre niveau pour vous assurer que le cabinet est assis sécurisé et de niveau.

ÉTAPE 3: Creuser tranchée et placer compagnie aérienne(s)

1. Utilisation de votre pelle, creuser une tranchée de l'armoire au bord de l'étang. Cette tranchée doit être une profondeur minimale de 8" pour protéger la compagnie aérienne. Nous recommandons d'avoir des lignes électriques marquées avant de commencer à creuser.



2. Placez aérienne dans la tranchée de l'armoire d'aération au bord de l'étang.

Option A:

Utilisez EasySet™ compagnie aérienne pondéré. Il doit y avoir une course séparée de la compagnie aérienne pour chaque diffuseur qui sera installé. Laissez restante aérienne enroulée au bord de l'étang.

Option B:

Utilisez aérienne Burial Direct. Il doit y avoir une course séparée de la compagnie aérienne pour chaque diffuseur qui sera installé. Joignez-vous à plusieurs sections de transport aérien enfouissement direct en utilisant 5/8" kits de connecteurs. Tout d'abord, faites glisser deux colliers de serrage sur une section de la compagnie aérienne. Ensuite, insérer le 5/8" adaptateur insert à mi-chemin dans une section de la compagnie aérienne, puis insérer dans la prochaine section de la compagnie aérienne. L'utilisation d'un tournevis à tête plate, fixez l'un des colliers de serrage sur chaque moitié de l'adaptateur d'insertion (voir image à gauche).

Option B avec Manifold à distance:

Utilisez 1" Airline Burial Direct ou PVC Pipe. Seulement 1 terme de la compagnie aérienne est nécessaire à partir de l'emplacement de l'armoire au bord de l'étang.

Voir à distance Manifold Manuel Kit ou regarder la vidéo d'installation au airmaxeco.com/RemoteManifold pour plus d'informations.

ÉTAPE 4: Connectez avion au collecteur du compresseur

Attention: Pour les étangs plus profonds que 21' de profondeur, un kit de Deep Water (vendu séparément) doit être installé avant de poursuivre l'installation.

Option A & B: (Cette étape est pas nécessaire si un kit de Deep Water est installé)

Faites glisser un collier de serrage sur la compagnie aérienne et insérer un MPT à 3/8" (ou 5/8" 3/4) Insérer Réducteur à dans la compagnie aérienne, fixant avec un collier de serrage. Ensuite, serrez à la main à l'un des tubes flexibles débranchement rapide provenant du collecteur du compresseur. Répétez l'opération pour chaque ligne de diffuseur.

Option B avec Manifold à distance:

Voir à distance Manifold Manuel Kit ou regarder la vidéo d'installation au airmaxeco.com/RemoteManifold pour plus d'informations.

ÉTAPE 5: Partiellement remblai aérienne tranchée

Remblayer la tranchée du transport aérien dans quelques zones pour maintenir temporairement la compagnie aérienne en place jusqu'à ce que l'installation est terminée.

ÉTAPE 6: Airline pondérée Coonect pour Diffuseurs

Déroulez la compagnie aérienne pondérée EasySet™ et supprimer tous les plis ou torsions. Joignez-vous suffisamment de sections aérienne pondérée, en utilisant 3/8" ou 5/8" kits de connecteurs, de sorte que la compagnie aérienne peut reposer sur le fond de l'étang, du bord de l'étang à l'emplacement prévu pour chaque diffuseur. Pour les installations l'option B, connectez la compagnie aérienne pondérée à la compagnie aérienne ou l'enfouissement direct Kit distance Manifold au bord de l'étang.

Note: Diffuseurs doivent être placés aussi en dehors ou dans des zones de circulation d'eau faible pour des performances optimales. Si vous avez besoin d'aide pour choisir le bon emplacement pour vos diffuseurs, s'il vous plaît contacter Airmax® ou votre revendeur local.

ÉTAPE 7: Connectez diffuseurs ProAir™

Voir le manuel ProAir™ Diffuseur pour le montage et le raccordement des diffuseurs.

ÉTAPE 8: Démarrez le système d'aération

PS10 Systèmes: Branchez le compresseur et le ventilateur de refroidissement dans la prise de contrôle de puissance à l'intérieur de l'armoire. Branchez la prise de contrôle d'alimentation dans une prise de courant GFCI.

PS20, PS30, PS40, PS80 Systèmes: Branchez le compresseur dans la prise de courant située à l'intérieur de l'armoire. Assurez-vous que l'interrupteur d'alimentation est en position «ON». Branchez la prise de courant dans une prise de courant GFCI.

**ÉTAPE 9:** Installez les diffuseurs ProAir™

Installation Diffuseurs à partir d'un bateau / Raft: Demandez à une personne sur le rivage de guider la compagnie aérienne en tant que deuxième personne utilise un bateau ou d'un radeau, prolonger la ligne aérienne vers la zone de l'étang que le diffuseur sera situé. Relâchez doucement le diffuseur dans l'eau. Répétez jusqu'à ce que tous les diffuseurs sont en position.

Installation Diffuseurs de Shore:

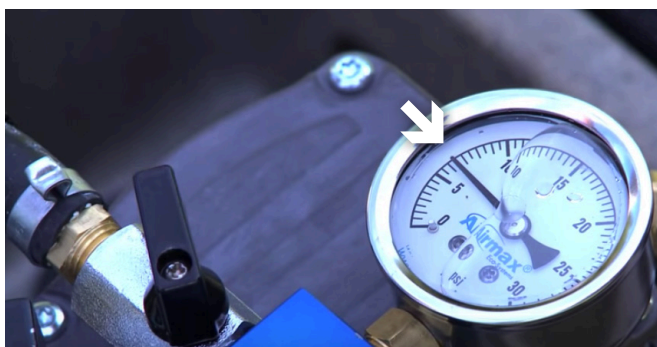
Pour les petits étangs, vous pouvez choisir d'installer les diffuseurs de la rive. Demandez à une personne guider la compagnie aérienne tandis qu'une autre marche autour de l'étang avec le diffuseur. Puis enfiler une corde de nylon par la tubulure de diffuseur. Utilisez la corde de nylon et la compagnie aérienne pour guider doucement le diffuseur en place. Une fois réglée, relâchez un côté de la corde de nylon et tirez sur le rivage. Répétez jusqu'à ce que tous les diffuseurs sont en position.



ÉTAPE 10: Réglez Airflow

Bubbles devraient être visibles à la surface de l'étang à partir des emplacements de diffuseur. Lorsque plus d'un diffuseur est installé, régler les soupapes d'écoulement d'air sur le compresseur collecteur (Pour l'option B avec Manifold à distance, cette étape au niveau du collecteur à distance). Une fois qu'un réglage est effectué, vous devrez peut-être attendre plusieurs minutes pour voir les résultats à l'emplacement(s) de diffuseur.

Remarque: Le placement Deeper de diffuseurs et de plus longues séries de transport aérien, il faudra plus de débit.

**ÉTAPE 11: Mark Manomètre**

L'utilisation d'un marqueur permanent, marquer la lecture de la jauge de pression actuelle. Au cours de l'entretien régulier si la lecture est au-dessus ou au-dessous de cette marque, il peut indiquer que le système nécessite un entretien.

ÉTAPE 12: Fixer l'armoire et se préparer à Start-up

Fixer le couvercle d'aération de l'armoire avec les 4 vis lobées. Vous pouvez également sécuriser l'armoire pour empêcher les hôtes indésirables avec le Kit de verrouillage Cabinet inclus. Il suffit de remplacer les 2 vis lobées avec 2 vis hexagonales et utiliser l'outil hexagonal pour fixer en place. remblayage complet sur les tranchées aériennes et le niveau avec un râteau. Installation complète en examinant et en suivant la procédure de démarrage initiale à la section 3.

**3. Mise en service et exploitation saisonnière**

⚠ La circulation de mauvaise qualité, faible teneur en oxygène, en eau profonde à la surface de l'étang peut introduire gaz nocifs et sous-produits dans les régions supérieures auparavant en bonne santé de la colonne d'eau. Ces sous-produits peuvent faire les régions supérieures impropres à la vie aquatique et pourrait entraîner dans les poissons-kill.

Procédure de démarrage initial pour empêcher Fish-Kill:

Suivez ce système à tout moment de la procédure a été d'arrêt pour une période de temps prolongée.

Jour 1: Fonctionner le système pendant 30 minutes; Éteignez le système pour le reste de la journée.

Jour 2: Fonctionner le système pendant 1 heure; Éteignez le système pour le reste de la journée.

Jour 3: Fonctionner le système pendant deux heures; Éteignez le système pour le reste de la journée.

Jour 4: Fonctionner le système pendant quatre heures; Éteignez le système pour le reste de la journée.

Jour 5: Fonctionner le système pendant 8 heures; Éteignez le système pour le reste de la journée.

Jour 6: Fonctionner le système pendant 16 heures; Éteignez le système pour le reste de la journée.

Jour 7: Commencez système fonctionnant 24 heures / jour, 7 jours / semaine.

Opération Été

Pour réduire le risque de mortalité massive de poissons dans les mois chauds d'été et pour les prestations d'aération optimales, Airmax® Systèmes d'aération doit fonctionner en continu pendant tout l'été.

Pour améliorer la santé de l'étang, de réduire les fonds boueux et d'améliorer l'aspect esthétique de l'étang, essayer les produits Pond Logic®:

Ma MuckAway™ **Pc** PondClear™ **Eb** EcoBoost™ **Tw** **Bk** **Nb** **Ab** Pond Dye

Opération Hiver

Propriétaire assume toute la responsabilité de l'exploitation Airmax® système d'aération pendant les mois d'hiver. Fonctionnant dans des conditions de congélation sur un étang couvert de glace provoquera de grands espaces ouverts de l'eau sur les sites de diffusion. épaisseur de la glace autour des zones ouvertes sera beaucoup plus mince que les zones environnantes. Airmax® recommande fortement que "Danger - Thin Ice" sera affiché à intervalles réguliers autour de l'étang.

Si vous choisissez de mettre votre système pour l'hiver, procédez comme suit:

- Débranchez votre système d'aération.
- Débranchez le compresseur de tube flexible(s) d'une compagnie(s).
- Couverture aérienne se termine avec la hivernage inclus Caches pour empêcher les débris d'entrer aérienne.
- Déplacer cabinet et compresseur à l'intérieur pour garder au sec.
- En cas de fonctionnement au cours de la saison d'hiver, la condensation pourrait causer aux compagnies aériennes de geler. Si oui:
 - Utilisez une tasse d'alcool isopropylique dans la compagnie aérienne manquer à chaque plaque.
 - Allumez compresseur pour faire passer la ligne gratuits et tout blocage de glace.

Airmax® Systèmes d'aération sont conçus pour peu d'entretien et nécessitent un minimum maintenance planifiée. Entrées et sorties du Cabinet doivent être libres de débris et de croissance des mauvaises herbes permettant une ventilation normale.

- Toujours débrancher le système avant d'effectuer tout entretien ou dépannage.
- Toujours débrancher le système et faites appel à un électricien qualifié si: le cordon est endommagé ou usé, compresseur, commande de puissance, ventilateur de compresseur, ou d'autres composants électriques produisent des bruits ou des odeurs inhabituelles.
- Toujours utiliser des pièces qui sont fournies ou approuvés par Airmax®, Inc. L'utilisation d'autres pièces peut entraîner de mauvaises performances et pourrait créer une situation dangereuse.

** Les conditions environnementales locales peuvent exiger un entretien plus fréquent.

AVERTISSEMENT: Les compresseurs sont équipés d'un interrupteur de surcharge thermique. Si la température devient suffisamment élevée pour déclencher la surcharge, le compresseur se arrête. Il commencera alors automatiquement lorsque la température diminue aussi longtemps que l'alimentation est appliquée.

TOUS LES 3-6 MOIS - Filtre à air: Nettoyer / remplacer le filtre à air.
Ventilateur de refroidissement: Vérifier pour assurer le ventilateur de refroidissement fonctionne. L'air chaud doit être tiré de l'armoire, ne souffle pas dans.
Manomètre: Mark jauge de pression sur le démarrage initial. Vérifiez de vérifier la pression n'a pas augmenté de manière significative au-dessus ou chuté en dessous de la lecture initiale. Le fonctionnement normal se situera entre 5-10psi.
Soupage de décharge: Vérifier pour assurer l'air n'échappe pas de la vanne et remplacer si nécessaire.

TOUS LES 12-18 MOIS - KIT D'ENTRETIEN: Il est recommandé d'installer un kit de maintenance tous les 12-18 mois afin d'assurer une performance optimale.

CHAQUE MOIS 24-36 - BÂTONS MEMBRANAIRES: Nous recommandons l'inspection et / ou le nettoyage des bâtons de diffuseur à membrane tous les 24-36 mois, ou à tout moment de la lecture de la jauge de pression est nettement supérieure à la normale ou il y a une réduction des bulles du diffuseur. Pour nettoyer, utilisez Airmax® Fountain & Aération Cleaner (#530298) et un chiffon doux.



Regarder le kit de maintenance
 Comment à la vidéo à
airmaxeco.com/PondSeriesAeration

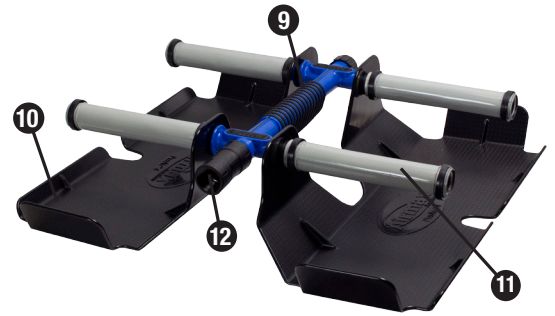
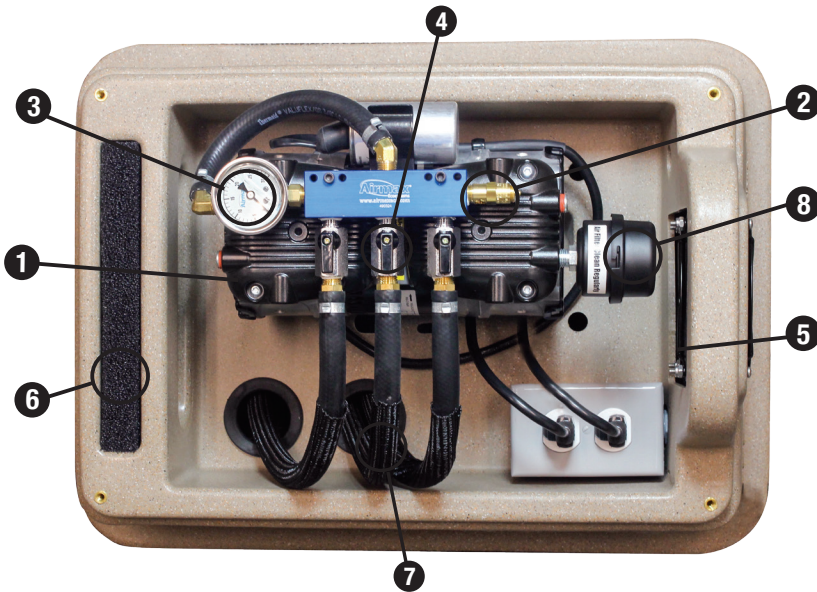
6. Dépannage

SI LE COMPRESSEUR NE FONCTIONNE PAS:

QUESTION	VOIR	CAUSE PROBABLE	CORRECTION
Fan du Cabinet ne fonctionne pas.	Option 1: Vérifier l'alimentation.	Le compresseur et le ventilateur ne reçoivent pas d'alimentation.	Ouvrez l'armoire et assurez-vous que le compresseur et le ventilateur sont branchés sur la prise de courant. Pour les systèmes PS20-PS80, assurez-vous également que l'interrupteur d'alimentation est allumé.
	Option 2: Circuit GFCI déclenché.	Domage pour le cordon électrique ou basse tension de l'alimentation.	Contactez Airmax® ou revendeur local pour obtenir électrique Assistance dépannage.
	Option 3: Circuit GFCI ne se déclenche pas.	GFCI malfunction.	
Fan du Cabinet est en marche.	Option 1: Vérifier la puissance du compresseur.	Le compresseur ne reçoit pas de courant.	Ouvrez l'armoire et assurez-vous que le compresseur est branché sur la prise de courant.
	Option 2: Vérifiez le câblage compresseur condensateur pour s'effiloche ou mauvaises connexions.	Câblage desserré ou a été endommagé pendant le transport ou l'entretien.	Contactez Airmax® ou revendeur local pour la réparation / remplacement.
	Option 3: Pas de problèmes de câblage de condensateurs peuvent être vus.	Bad condensateur.	
	Option 4: Condensateur a été remplacé.	Compressor est mauvais.	

SI COMPRESSEUR EST EN MARCHÉ:

QUESTION	VOIR	CAUSE PROBABLE	CORRECTION
Pas de bulles sur les diffuseurs.	Option 1: Pas de fuites d'air sont audibles dans l'armoire. Compresseur en marche vibrations excessives fort et possible.	Filtre à air du compresseur est sale / bouché.	Nettoyez ou remplacez le filtre à air. JAMAIS ré-installer un filtre humide.
	Option 2: compresseur fonctionnant normalement ou faire des bruits inhabituels. Preuve de moins de pression et / ou le débit d'air.	Compresseur doit kit de maintenance de la membrane et peut-être nouveau filtre à air.	Contactez Airmax® ou revendeur local avec les spécifications pour kit de maintenance. Nettoyez ou remplacez le filtre à air. JAMAIS ré-installer un filtre humide.
Pas de bulles à quelques plaques de diffuseur.	Option 1: Vérifier s'il ya des fuites au niveau des raccords en ligne et en cabinet. Si aucun n'est audible, vaporiser soigneusement petite quantité d'eau savonneuse sur les connexions et de chercher les bulles.	Vibration desserré connexion ou fissuré raccord.	Serrer connexion lâche ou remplacer raccord fissuré si nécessaire.
	Option 2: Est-ce que toutes les vannes de contrôle de débit de compresseur grande ouverte?	Une mauvaise "équilibre" des diffuseurs.	Régler les soupapes d'écoulement d'air du collecteur dans l'armoire jusqu'à ce que tous les diffuseurs fonctionnent correctement. Voir la section 2. Installation d'un système de plus d'informations.
	Option 3: Vannes dans l'armoire sont bien "équilibré" et aucune fuite sont évidents.	Compresseur commence à perdre compression et doit kit de maintenance de la membrane.	Contactez Airmax® ou revendeur local avec les spécifications de compresseur pour kit de maintenance.
Les grosses bulles de roulement au lieu de fines bulles à la surface ci-dessus une ou plusieurs plaques de diffusion.	Inspectez chaque plaque de diffusion de dysfonctionnement.	Membrane diffuseur endommagé, diffuseur plaque épousant la plaque cassée ou diffuseur est retournée.	Contactez Airmax® ou revendeur local avec les spécifications des compresseurs pour le kit de maintenance.
Air qui sort de la soupape de décharge de pression.	Option 1: lecture à haute pression sur le manomètre. Inspecter les plaques et tubes diffuseur pour le colmatage.	Diffuseur entretien nécessaire.	Retirez toute prolifération autour de la surface de la membrane diffuseur. Voir la section 4. Maintenance pour plus d'informations.
	Option 2: lecture de basse pression sur le manomètre. Plaques de diffusion non obstrués.	Illicite soupape de décharge de pression.	Contactez Airmax® ou revendeur local pour la réparation / remplacement.
Le compresseur s'arrête de travailler pour des périodes de temps, puis redémarre.	Inspectez le ventilateur de refroidissement pour le bon fonctionnement.	Compresseur surchauffe due à une mauvaise ventilateur de refroidissement.	Contactez Airmax® ou revendeur local pour le remplacement du ventilateur. Si possible, laissez le haut du coffret ouvert pour le refroidissement. Sinon, débranchez le système jusqu'à ce fan est remplacé.
Compresseur secoue erratique et fait des bruits forts.	Option 1: Vérifier la faible tension alors que le compresseur est en marche.	Jauge de fils d'alimentation au circuit éventuellement sous-dimensionné ou un meuble est branché sur une rallonge.	Si l'indicateur de câblage du circuit est incorrecte, avoir replace électricien. NE JAMAIS utiliser de rallonge pour fonctionner le système pour une utilisation continue.
	Option 2: Vérifiez si le filtre à air obstrué.	Filtre à air dans le besoin de remplacement.	Nettoyez ou remplacez le filtre à air. JAMAIS ré-installer un filtre humide.



Optionnel



Kit de collecteur à distance en option
(Airmax® 4-Kit collecteur de port indiqué)

Cabinet & Compresseur Pièces de Rechange

1. RP Séries SilentAir™ Compresseur haute efficacité

- #510503 – RP25 (87R) 1/4 HP Simple Compresseur à Piston, 115V
- #510504 – RP25 (87R) 1/4 HP Simple Compresseur à Piston, 230V
- #510501 – RP50 (87R) 1/2 HP Double Compresseur à Piston, 115V
- #510505 – RP50 (87R) 1/2 HP Double Compresseur à Piston, 230V
- #510502 – RP75 (72R) 3/4 HP Double Compresseur à Piston, 115V
- #510506 – RP75 (72R) 3/4 HP Double Compresseur à Piston, 230V
- #510510 – RP25 (87R) 1/4 HP Kit d'entretien
- #510511 – RP50 (87R) 1/2 HP Kit d'entretien
- #510512 – RP75 (72R) 3/4 HP Kit d'entretien

2. #490239 – Clapet de décharge

3. #490272 – Manomètre

4. Assemblée du collecteur Airflow

- #600186 – PS10
- #600242 – PS20
- #600243 – PS30
- #600241 – PS40
- #600246 – PS80

5. Ventilateur

- #510345 – Ventilateur de 115V Systems
- #510344 – Ventilateur de 230V Systems

6. #510395 – Air Intake pré-filtre

- #510417 – Air Intake pré-filtre (PS80 seulement)

7. #490194 – 3/8" Flex-Tube

8. Filtre à air

- #510150 – Filtre à air, complet
- #510151 – Filtre à air médias seulement

ProAir™ 4 Pièces de Rechange

- 9.** #490332 – Diffuser Manifold *#490158 – 1" Marine Stainless Hose Clamp
- 10.** #490337 – Diffuser Sled *#490118 – 1/2" to 3/4" Insert Reducer Adapter
- 11.** #510168 – PTFE 6" Membrane Stick *#490118 – 3/8" to 3/4" Insert Reducer Adapter
- 12.** #490340 – Check Valve *Not shown in Diagram

EasySet™ Airline

- #510118 – 3/8" Weighted Airline, 100' Roll
- #510119 – 5/8" Weighted Airline, 100' Roll
- #510120 – 5/8" Direct Burial Airline, 100' Roll

Kit de collecteur à distance en option

13. Kit de collecteur à distance en option

- #600192 – Airmax® PS20 2-Port Kit collecteur à distance
- #600190 – Airmax® PS30 3-Port Kit collecteur à distance
- #600194 – Airmax® PS40 4-Port Kit collecteur à distance

Kit de Connexion



3/8" Kit de connexion
#490204

3/8" to 5/8" Kit de connexion
#490205

5/8" Kit de connexion
#490206

Kit d' eau profonde en option

Pour une utilisation sur les systèmes PondSeries™ lorsque l'eau est supérieure à 21' de profondeur.

- #510435 – PS10
- #510436 – PS20
- #510437 – PS30
- #510438 – PS40
- #510439 – PS80



Kit de sécurités

- #510430 – Kit de sécurité Stake (Optionnel)
- #510424 – Kit de verrouillage Cabinet



Kit de verrouillage Cabinet



Kit de sécurité Stake

MERCI D'AVOIR CHOISI



Cleaning Water Naturally™

www.airmaxeco.com

NOTES

Airmax[®], Inc.

Airmax[®] Aeration Systems

Limited Warranty

Airmax[®], Inc. warrants to the original purchaser (the end user) of any Airmax[®] Aeration System manufactured by Airmax[®], Inc. that any aeration system component which proves to be defective in materials or workmanship, as determined by the factory within the timeframe specified below from the shipping date, will be repaired or replaced at no charge with a new or remanufactured part, and returned freight prepaid. The end user shall assume all the responsibility and expense for removal, packaging, and freight to ship to Airmax[®], Inc. to determine the warranty claim and for all reinstallation expenses.

- Cabinet – Lifetime
- Compressor – 2 Years
- Airline & Diffusers – 5 Years

The warranty is void in cases where damage results from: improper installation, improper electrical connection, improper voltage, alteration, lightning, careless handling, misuse, abuse, disassembly of motor or failure to follow maintenance or operating instructions. Modification or repair by an unauthorized repair facility will void the warranty. Compressor seals, piston cups, cylinder sleeves, valves, air filters and diffuser membranes are considered wear parts and are not covered under warranty.

In no case will Airmax[®], Inc. or its dealers accept responsibility for any costs incurred by the user during installation, removal, inspection, evaluation, repair, parts replacement, or for return freight. Nor will any liability be accepted for loss of use, loss of profits, loss of goodwill, for consequential damage, or for personal injuries to the purchaser or any person.

In the event of problems believed to be covered under warranty, it will be necessary to notify the dealer who will try to help resolve the problem and who may contact the factory for additional assistance. If it is concluded that there may be a defect which may be covered under warranty, it will be necessary to get a Return Material Authorization (RMA) from the dealer before shipment. Freight collect shipments will not be accepted by the factory on warranties or repairs.

The product or part(s) must be returned freight prepaid, to the factory, as directed, and in its original packaging or in a container which will prevent damage. Parts returned under warranty and damaged during shipping will not be covered under warranty for the shipping damage. If the factory evaluation of the returned goods concludes that the failure is due to defects in materials or workmanship, the part or parts in question will be replaced under warranty with new parts, remanufactured parts, or will be repaired; at the factory's option. The warranty period for all parts supplied under warranty will terminate at the end of the original product's warranty. All warranty shipments from the factory will be shipped freight prepaid.

Warranty registration is HIGHLY recommended.

No implied warranties of any kind are made by Airmax[®], Inc. for its products, and no other warranties, whether expressed or implied, including implied warranties of merchantability and fitness for a particular purpose, shall apply. Should an Airmax[®], Inc. product prove to be defective in materials or workmanship, the retail purchaser's sole remedy shall be repair or replacement of the product as expressly provided above.

The manufacturer's warranty will begin from the dealer's original purchase date if the product is not registered. To register a product you are required to fill out the warranty form at airmaxeco.com/warranty. Warranty registration must be submitted directly to Airmax[®] within 30 days of the end-users purchase date. When making warranty claims end-users may be required to supply their proof of purchase.

An underwater photograph of a stream. The water is clear and blue. In the foreground, a large, spotted fish (likely a trout or salmon) is swimming towards the right. In the background, another smaller fish is visible. The riverbed is composed of many smooth, rounded stones of various sizes and colors, ranging from light tan to dark grey. The surface of the water is visible at the top, with ripples and reflections of light.

Airmax[®] Inc.

Safe, Simple Solutions[™]

P.O. Box 38
Romeo, MI 48065

(866) 4-AIRMAX
airmaxeco.com